

### Micromarket Refrigerated Self-Service Case 32"D



MODEL SHOWN: BV4732

Conforms to NSF STD 7  
**TYPE II**

- BV3632
- BV4732
- BV5932
- BV7132

Lengths include end panels  
 36-5/8"L x 32-1/4"D x 82-1/2"H  
 47-5/8"L x 32-1/4"D x 82-1/2"H  
 59-5/8"L x 32-1/4"D x 82-1/2"H  
 71-5/8"L x 32-1/4"D x 82-1/2"H

#### STANDARD FEATURES

- Health safety automatic closing door system (includes battery backup) (requires dedicated 120 Volt, 15 Amp circuit)
- Breeze~E (Type-II) w/ EnergyWise s/c refrigeration
- Blue Fin coated coil
- Clean Sweep® coil cleaner (n/a w/remote)
- Compressor air lower front intake and upper front discharge. Front panel cannot be blocked
- Condensate pan (self-contained refrig. only)
- Flat upper front panel & header
- Integrated average product temperature of 40°F or less
- LED 4000K top light(s)
- One piece formed ABS plastic tub
- One year parts & labor; 5 year compressor warranty
- Removable deck pans provide complete access to evaporator coil & refrigeration connections
- Shelving removable and adjustable on 1" centers
- Solid back panel, black

Features	Standard	Options
EXTERIOR COLOR	<input type="checkbox"/> Laminated (non-premium) Confirm pattern/grain direction	<input type="checkbox"/> Laminated (premium) Confirm pattern/grain direction <input type="checkbox"/> Stainless steel (includes lower front panel)
INTERIOR COLOR	<input type="checkbox"/> Black	<input type="checkbox"/> Stainless steel
LWR PERFORATED FRNT PANEL	<input type="checkbox"/> Painted - Black	<input type="checkbox"/> Stainless steel (w/stainless ext. only)
BASE	<input type="checkbox"/> Casters w/ levelers (n/a w/ remote ref.)	<input type="checkbox"/> Levelers (only) <input type="checkbox"/> Seismic levelers (Q4695)
END PANEL LEFT	<input type="checkbox"/> Full end panel w/mirror interior (metal edge matches interior color)	<input type="checkbox"/> Cutaway end panel (metal edge matches interior color)
END PANEL RIGHT	<input type="checkbox"/> Full end panel w/mirror interior (metal edge matches interior color)	<input type="checkbox"/> Cutaway end panel (metal edge matches interior color)
SHELVING	<input type="checkbox"/> Metal shelves, non-lighted	<input type="checkbox"/> Metal shelves, lighted (LED 4000K)
ELECTRICAL CONNECT	<input type="checkbox"/> 6' power cord (base exit)	<input type="checkbox"/> 6' power cord (top exit)
REFRIGERATION	<input type="checkbox"/> Breeze~E (Type-II) w/ EnergyWise s/c refrigeration	<input type="checkbox"/> Note: Remote doesn't incl Conds unit. Floor drain reqd. <input type="checkbox"/> Remote w/thermostat, solenoid & TXV
MISCELLANEOUS		<input type="checkbox"/> Second year parts & labor warranty (excludes compressor)
ACCESSORIES		<input type="checkbox"/> Price tag molding (matches interior color)

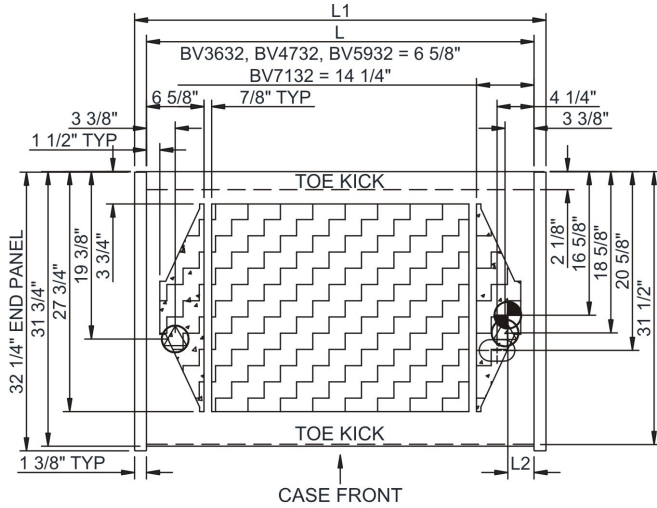
**Option Notes:** 1 - See tech spec for load reqmts

# Oasis®

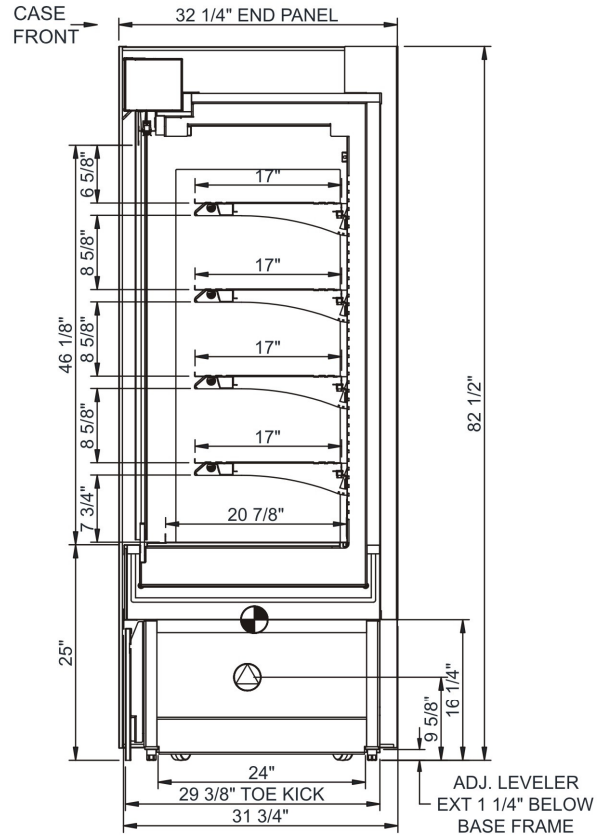
## Product Specifications

<b>Intended Environment:</b> Type II - Designed to operate in ambient conditions of 80°F and 60% relative humidity unless noted otherwise in system information below.		
<b>Zone</b>	<b>Intended Product To Be Displayed</b>	<b>Warmest Avg Prod Temp ° F</b>
1	Packaged refrigerated products	40

PLAN VIEW



SIDE VIEW



**NOTE: ALL DIMENSIONS APPROXIMATE**

- ELECTRICAL JUNCTION BOX (SUPPLIED WITH 6\"/>
- LOCATION OF DRAIN TUBE FOR REMOTE REF. ONLY (SUPPLIED WITH 3/4\"/>
- REMOTE FLOOR SINK & UTILITIES ACCESS AREA.
- SELF-CONTAINED CASE SERVICE ACCESS AREA.
- REFRIGERATION LINE CONNECTION.
- DRY CASE SERVICE ACCESS AREA.

Model Technical Specifications

Model	L"	L1"	L2"	System Circuit Volts			Phs	Freq	Amps ***	Watts	Wires	NEMA Plug	SST	Conv. Rack BTUH	Para. Rack BTUH	Est Wt
BV3632	N/A	36.63	3.00	Remote(Type I)	Circuit #1	110-120	1	60	1.13	99	2+G	Leads Multiple	20.00	3542	3280	900
				Self-Contained	Circuit #1	110-120	1	60	16.00	1,480	N/A	5-20P or L5-20P	N/A	N/A	N/A	
BV4732	N/A	47.63	3.00	Remote(Type I)	Circuit #1	110-120	1	60	1.47	139	2+G	Leads Multiple	20.00	4882	4520	1,050
				Remote(Type II)	Circuit #1	110-120	1	60	1.47	139	2+G	Leads Multiple	20.00	5918	5480	
				Self-Contained	Circuit #1	208-240	1	60	10.23	1,923	2+G	6-20P or L6-20P	N/A	N/A	N/A	
BV5932	N/A	59.63	3.00	Remote(Type I)	Circuit #1	110-120	1	60	2.12	188	2+G	Leads Multiple	20.00	5746	5320	1,350
				Remote(Type II)	Circuit #1	110-120	1	60	2.12	188	2+G	Leads Multiple	20.00	7042	6520	
				Self-Contained	Circuit #1	208-240	1	60	12.00	2,310	2+G	6-20P or L6-20P	N/A	N/A	N/A	
BV7132	N/A	71.63	3.00	Remote(Type I)	Circuit #1	110-120	1	60	2.36	238	2+G	Leads Multiple	20.00	7042	6520	1,450
				Remote(Type II)	Circuit #1	110-120	1	60	2.36	238	2+G	Leads Multiple	20.00	8618	7980	
				Self-Contained	Circuit #1	208-240	1	60	16.00	3,199	2+G	6-20P or L6-20P	N/A	N/A	N/A	

\*\*\* Does not include electric defrost on freezer models.

**Regulatory Approvals:**

All Models	Accordance with AHRI Std 1200 ETL Listed to UL 471 ETL Listed to CAN/CSA 22.2 No. 120 ETL Sanitation to NSF 7
------------	--



In Accordance with  
**AHRI Std 1200**

**DOE 2017**  
Energy Efficiency  
Compliant

**Important Notes:**

- 1) ELECTRICAL NOTE: If GFCI is required, a GFCI breaker MUST be used in lieu of a GFCI receptacle
- 2) Health safety automatic closing door system requires dedicated 120 Volt, 15 Amp circuit. Electrical info for door = 120/1/60, 0.90 amps, 5-15P NEMA Plug.
- 3) Performance issues (product temperatures, water on floor, etc.) caused by adverse conditions are not covered by warranty.
- 4) Keep unit at least 15' from exterior doors, overhead HVAC vents, or any air curtain disruption.
- 5) End panels must be tightly joined or kept at least 6" away from any structure to prevent condensation.
- 6) Do not expose unit to direct sunlight or any heat source (ovens, fryers, etc.).
- 7) Tile floors, low ceilings, or small rooms will increase noise level.

**⚠ WARNING:** This product can expose you to chemicals, including Urethane (Ethyl Carbamate), which are known to the State of California to cause cancer and birth defects or other reproductive harm. For more information go to [www.P65Warnings.ca.gov](http://www.P65Warnings.ca.gov).



888 E. Porter Rd.  
Muskegon, MI 49441  
Ph. 231-798-8888  
Fx. 231-798-4960  
[www.structuralconcepts.com](http://www.structuralconcepts.com)

**Note: Information is subject to change at any time.**  
Visit [www.structuralconcepts.com](http://www.structuralconcepts.com) for the most current specs.

Revised 9/4/2019

21198089