

Fusion

Product Specifications

ITEM NO: _____
 PROJECT: _____
 DATE: _____

Refrigerated Self-Service Single Deck Case



MODEL SHOWN GLDSS4R

NOTE: SHOWN W/ OPTIONAL CUTAWAY END PANEL

- GLDSS4R
- GLDSS5R
- GLDSS6R
- GLDSS8R

Lengths include 1-1/8" end panels
 51"L x 48-7/8"D x 35"H
 62-7/8"L x 48-7/8"D x 35"H
 75-3/8"L x 48-7/8"D x 35"H
 99-3/4"L x 48-7/8"D x 35"H

STANDARD FEATURES

- Breeze™ w/EnergyWise s/c refrigeration
- Compressor air intake from rear and out front panel at toe kick. Front panel cannot be blocked.
- Corrosion resistant stainless steel tub & fan shroud
- Integrated average product temperature of 40°F or less
- One year parts & labor; 5 year compressor warranty

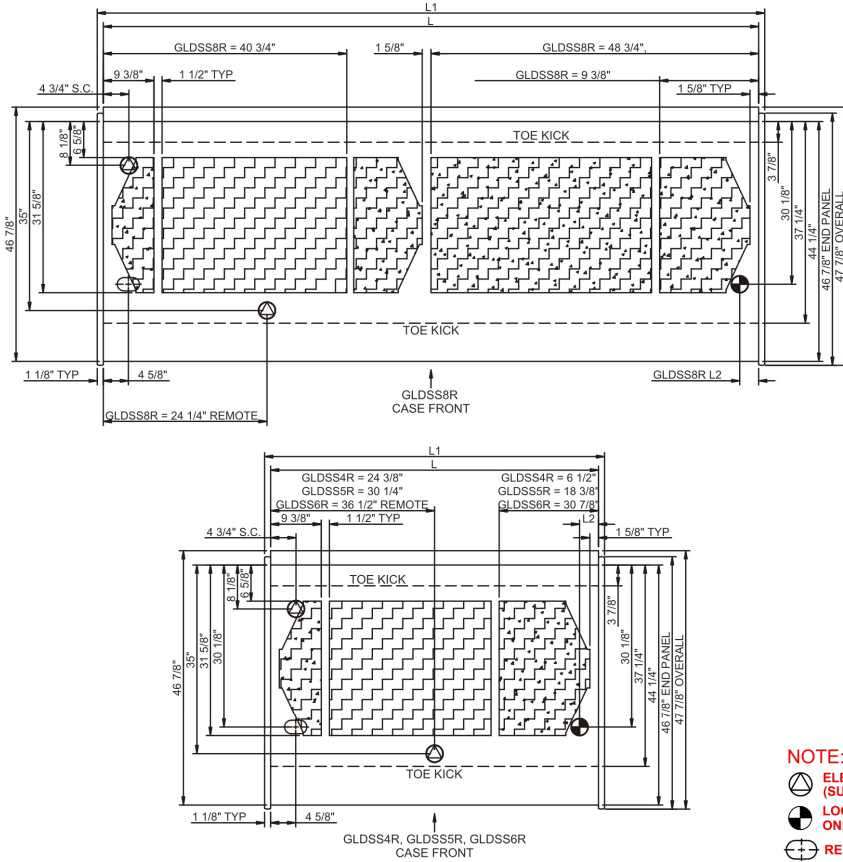
Features	Standard	Options
EXTERIOR COLOR	<input type="checkbox"/> Laminated (non-premium) Confirm pattern/grain direction	<input type="checkbox"/> Laminated (premium) Confirm pattern/grain direction <input type="checkbox"/> Stainless steel
INTERIOR COLOR	<input type="checkbox"/> Black	<input type="checkbox"/> Stainless steel <input type="checkbox"/> White
REAR EXTERIOR COLOR	<input type="checkbox"/> Stainless steel	<input type="checkbox"/> Painted - Black <input type="checkbox"/> Painted - White
BASE	<input type="checkbox"/> Casters w/ levelers (n/a w/ remote ref.)	<input type="checkbox"/> 6"H legs (n/a w/ remote ref.)
END PANEL LEFT	<input type="checkbox"/> Full end panel w/mirror interior	<input type="checkbox"/> Cutaway w/acrylic end panel <input type="checkbox"/> No end panel w/ synchronized defrost
END PANEL RIGHT	<input type="checkbox"/> Full end panel w/mirror interior	<input type="checkbox"/> Cutaway w/acrylic end panel <input type="checkbox"/> No end panel w/ synchronized defrost
LOWER FRONT PANEL	<input type="checkbox"/> Painted - Black	<input type="checkbox"/> Stainless steel
UPPER REAR LEDGE	<input type="checkbox"/> Black Sanalite®	<input type="checkbox"/> Solid surface (specify color) <input type="checkbox"/> Stainless steel <input type="checkbox"/> White Sanalite®
ELECTRICAL CONNECT	<input type="checkbox"/> 6' straight blade power cord (self-cont.)	<input type="checkbox"/> 6' locking power cord (self-cont.) <input type="checkbox"/> Electrical leads (remote)
REFRIGERATION	<input type="checkbox"/> Breeze™ w/EnergyWise s/c refrigeration	<input type="checkbox"/> NOTE: Remote only available w/rail base w/shims. N/A w/ levelers, casters or legs. <input type="checkbox"/> Note: Remote doesn't incl Conds unit. Floor drain reqd. <input type="checkbox"/> Remote w/thermostat, solenoid & TXV
MISCELLANEOUS		<input type="checkbox"/> Refrigerated rear storage (remote only) w/ sneeze guard <input type="checkbox"/> Second year parts & labor warranty (excludes compressor)
ACCESSORIES		<input type="checkbox"/> 2"H Full depth display riser(s) <input type="checkbox"/> Clean Sweep® coil cleaner (n/a w/remote)

Fusion

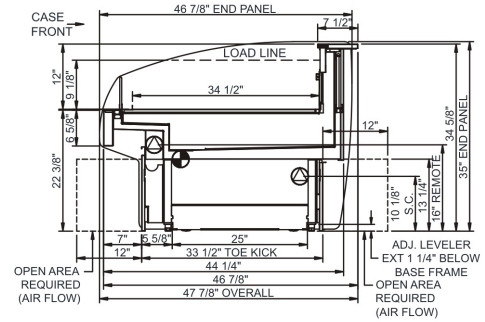
Product Specifications

Intended Environment: Type I - Designed to operate in ambient conditions of 75°F with 55% relative humidity unless noted otherwise in system information below.		
Zone	Intended Product To Be Displayed	Warmest Avg Prod Temp ° F
1	Packaged refrigerated products	40

PLAN VIEW



SIDE VIEW



NOTE: ALL DIMENSIONS APPROXIMATE

- ELECTRICAL JUNCTION BOX (SUPPLIED WITH 6' LEADS OR POWER CORD).
- REMOTE FLOOR SINK & UTILITIES ACCESS AREA.
- LOCATION OF DRAIN TUBE FOR REMOTE REF. ONLY (SUPPLIED WITH 3/4" OR 1 1/2" PVC TUBE).
- SELF-CONTAINED CASE SERVICE ACCESS AREA.
- REFRIGERATION LINE CONNECTION.
- DRY CASE SERVICE ACCESS AREA.

Model Technical Specifications

Model	L"	L1"	L2"	System Circuit Volts			Phs	Freq	Amps ***	Watts	Wires	NEMA Plug	SST	Conv. Rack BTUH	Para. Rack BTUH	Est Wt
GLDSS4R	48.75	51.00	3.50	Optional Skirt Light	Circuit #1	110-120	1	60	0.70	6	2+G	Leads Multiple	N/A	N/A	N/A	700
				Remote(Type I)	Circuit #1	110-120	1	60	0.48	36	2+G	Leads Multiple	20.00	2333	2160	
				Self-Contained	Circuit #1	110-120	1	60	12.00	1,167	2+G	5-20P or L5-20P	N/A	N/A	N/A	
GLDSS5R	60.63	62.88	3.50	Optional Skirt Light	Circuit #1	110-120	1	60	0.70	8	2+G	Leads Multiple	N/A	N/A	N/A	950
				Remote(Type I)	Circuit #1	110-120	1	60	0.71	42	2+G	Leads Multiple	20.00	3020	2796	
				Self-Contained	Circuit #1	110-120	1	60	15.07	1,385	2+G	5-20P or L5-20P	N/A	N/A	N/A	
GLDSS6R	73.13	75.38	3.50	Optional Skirt Light	Circuit #1	110-120	1	60	0.70	10	2+G	Leads Multiple	N/A	N/A	N/A	1,000
				Remote(Type I)	Circuit #1	110-120	1	60	0.89	63	2+G	Leads Multiple	20.00	3499	3240	
				Self-Contained	Circuit #1	110-120	1	60	15.25	1,405	2+G	5-20P or L5-20P	N/A	N/A	N/A	
GLDSS8R	97.50	99.75	3.50	Optional Skirt Light	Circuit #1	110-120	1	60	0.70	13	2+G	Leads Multiple	N/A	N/A	N/A	1,100
				Remote(Type I)	Circuit #1	110-120	1	60	1.33	115	2+G	Leads Multiple	20.00	4709	4360	
				Self-Contained	Circuit #1	110-120	1	60	15.69	1,458	2+G	5-20P or L5-20P	N/A	N/A	N/A	

*** Does not include electric defrost on freezer models.

Regulatory Approvals:

All Models	Accordance with AHRI Std 1200 ETL Listed to UL 471 ETL Listed to CAN/CSA 22.2 No. 120 ETL Sanitation to NSF 7
------------	--



In Accordance with
AHRI Std 1200

DOE 2017
Energy Efficiency
Compliant

Important Notes:

- ELECTRICAL NOTE: If GFCI is required, a GFCI breaker MUST be used in lieu of a GFCI receptacle
- Units are supplied with levelers. They must be adjusted during installation to ensure units is level and plumb. Dimensions reflect levelers extended 1 1/4".

WARNING: This product can expose you to chemicals, including Urethane (Ethyl Carbamate), which are known to the State of California to cause cancer and birth defects or other reproductive harm. For more information go to www.P65Warnings.ca.gov.



888 E. Porter Rd.
Muskegon, MI 49441
Ph. 231-798-8888
Fx. 231-798-4960
www.structuralconcepts.com

Note: Information is subject to change at any time.
Visit www.structuralconcepts.com for the most current specs.

Revised 10/15/2019

20029600