



4184 E. Conant St.  
 Long Beach, CA 90808  
 Tel. 800-500-3519  
 Fax. 310-900-1066  
 www.turboairinc.com

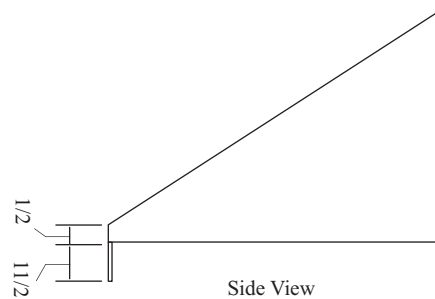
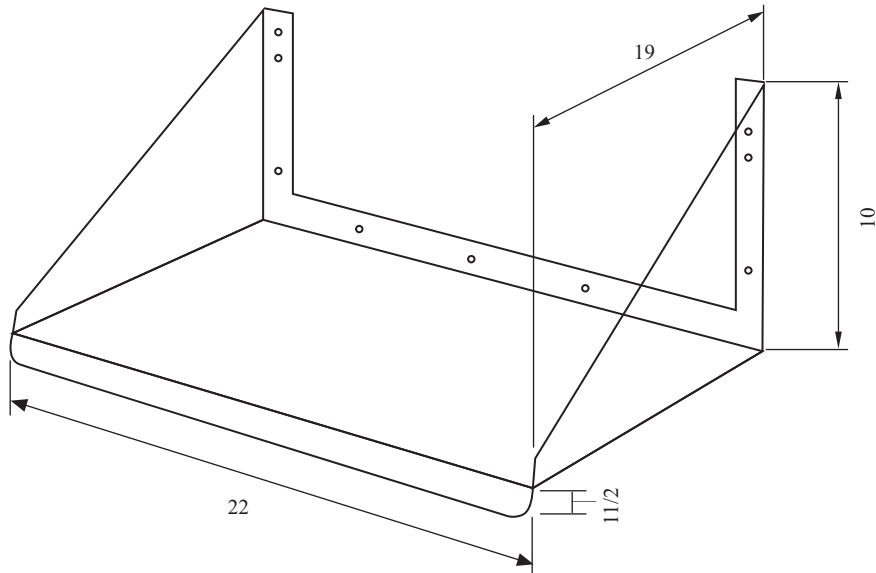
Project :	
Model # :	
Item # :	Qty :
Available W/H :	
Approval :	

# Microwave Shelf

**Model : TMWS-1922**

## ≡ FEATURES & BENEFITS ≡

- Wall mount type microwave shelf
- Allows you to get more counter space
- Heavy gauge (18 GA.) 304 stainless steel



(unit : inch)

Model	Length	Height	Depth	Weight(lbs.)
TMWS-1922	22	10	19	10