

REFRIGERATOR MANUFACTURER
Turbo air
 more durable, efficient, beautiful

4184 E. Conant St.
 Long Beach, CA 90808
 Tel. 310-900-1000
 Fax. 310-900-1077
www.turboairinc.com

Project :	
Model # :	
Item # :	Qty :
Available W/H :	
Approval :	

Sushi Cases

Display Cases
 Refrigerated Sushi Cases

Model : SAS-70L-N
SAS-70R-N



SAS-70R-N

≡ FEATURES & BENEFITS ≡

- **Hydrocarbon refrigerants (R-290)**
 With innovative and eco-friendly technology, Turbo Air brings you hydrocarbon refrigerators designed to meet the new standards of the EPA and DOE in 2017. Hydrocarbon refrigerants do not deplete the ozone layer and have very low contribution to global warming (ODP-0, GWP-3).
- **Ambient temperature range 50°F ~ 80°F, saturation temperature 39°F**
- **Digital temperature display and control**
- **Straight front glass for maximum visibility**
- **1" diameter drain hole with plastic cover**
- **Slightly inclined bottom for better drainage**
- **Larger interior for optimized display effect**
- **Stainless steel solid food plates**
- **LED interior lighting**
- **Low-E coated, tempered glass front & back with durable plastic door handles at chef side**
- **Side mount compressor makes it easy to be serviced without being moved**
- **Elegant contemporary Euro design enhances any store application**
- **Easy cleaning and excellent durability**
- **Condenser located on left or right from the front view**
- **Drain hole located on left from the chef side**
- **Refrigerator maintains 35°F ~ 41°F for the best in food preservation**



Model	Compressor Location	Sliding Door	CU./FT.	Bottom Shelves	HP	AMPS	Crated Weight (lbs.)	L x D* x H (inches)
SAS-70L-N SAS-70R-N	Left Right	4	2.3	5	1/6	3	120	70 1/4 x 14 1/2 x 13 1/2

Model : SAS-70L-N / SAS-70R-N

ELECTRICAL DATA	
Voltage	115/60/1
Plug Type	ⓘ NEMA 5-15P
Full Load Amperes	3
Compressor HP	1/6
Refrigerant	R-290
Power Cord Length (in.)	59 1/8
DIMENSIONAL DATA	
Net Capacity (cu. ft.)	2.3
Ext. Length Overall (in.)	70 1/4 (1785mm)
Ext. Depth Overall (in.)*	14 1/2 (368mm)
Ext. Height Overall (in.)	13 1/2 (344mm)
# of Sliding Doors	4
# of Bottom Shelves	5
Shelf Size (in.)	11 x 11
Net Weight (lbs.)	98
Gross Weight (lbs.)	120

Design and specifications subject to change without notice.
Actual shipping weight may differ due to extra packing materials for product protection.
* Depth does not include 5/8" for drain.

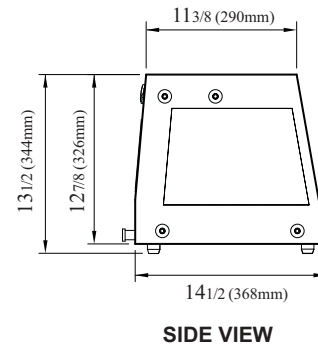
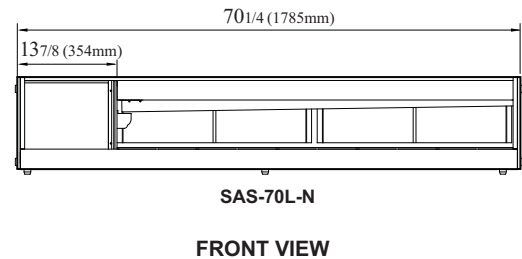
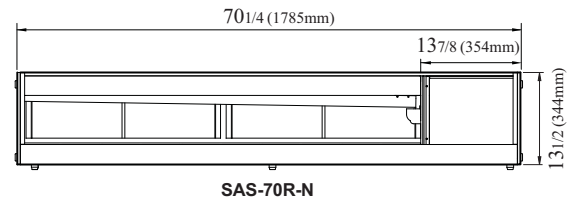
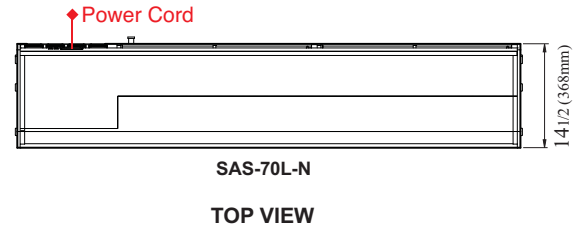
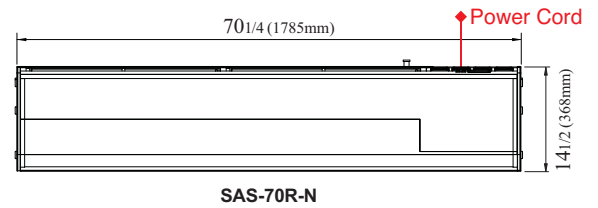
■ **WARRANTY : 2 Year Parts and Labor Warranty**
Additional 3 Year Warranty on Compressor

- **Anti-corrosion coated evaporator**
- **Self-contained system**
- **No plumbing required**
- **Simple plug-in installation**
- **Recommended operating conditions**

SAS models are designed to operate in environments where temperature & humidity do not exceed 75°F and 55% relative humidity.

PLAN VIEW

(unit : inch)



Ver.20180709



- Turbo Air : 800-627-0032
- GK : 800-500-3519
- Warranty : 800-381-7770
- AC : 888-900-1002