



Outperform every day.™

Project:  
Item Number:  
Quantity:

### KNOCK DOWN ACRYLIC BAKERY CASES



KDC1418-2-06



KDC1418-3-06



KDC1418-4F-06

#### ITEMS

- KDC1418-2-06      2 Shelf, Front and Rear Doors
- KDC1418-3-06      3 Shelf, Front and Rear Doors
- KDC1418-4F-06    4 Shelf, Front Doors
- KDC1418-4R-06    4 Shelf, Split Rear Door

#### FEATURES

- Clear acrylic
- Trays (14" x 18" (35.6 x 45.7 cm)) are included
- Ships flat and assembles in minutes
- Individual self-serve front doors
- Split rear doors on KDC1418-4R-06 enable quick restocking
- Rubber feet reduce slippage

#### ACCESSORIES

- TH-1 Tong, holder and tether

#### DESCRIPTION

Vollrath's Knock Down Acrylic Bakery Cases are available in sizes and door configurations to fit any self-serve or attended serving station.

#### WARRANTY

All models shown come with Vollrath's standard warranty against defects in materials and workmanship. For full warranty details, please refer to [www.Vollrath.com](http://www.Vollrath.com).

Due to continued product improvement, please consult [www.vollrath.com](http://www.vollrath.com) for current product specifications.

Approvals	Date



Outperform every day.™

[www.vollrath.com](http://www.vollrath.com)

#### The Vollrath Company, L.L.C.

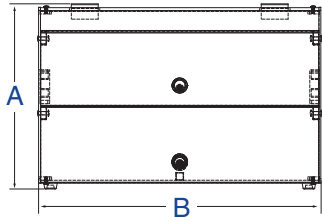
1236 North 18th Street  
 Sheboygan, WI 53081-3201 U.S.A.  
 Main Tel: 800.624.2051 or 920.457.4851  
 Main Fax: 800.752.5620 or 920.459.6573  
 Customer Service: 800.628.0830  
 Canada Customer Service: 800.695.8560

Technical Services  
[techservicereps@vollrathco.com](mailto:techservicereps@vollrathco.com)  
 Induction Products: 800.825.6036  
 Countertop Warming Products: 800.354.1970  
 All Other Products: 800.628.0832

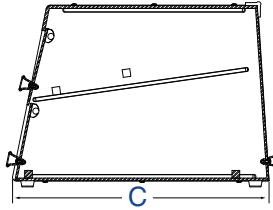
# KNOCK DOWN ACRYLIC BAKERY CASES

**DIMENSIONS** (Shown in inches (cm))

**KDC1418-2-06**

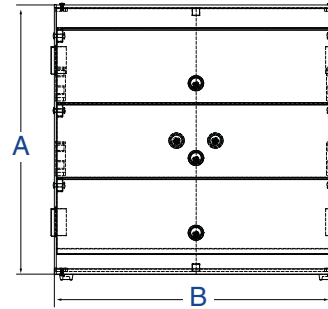


Front View

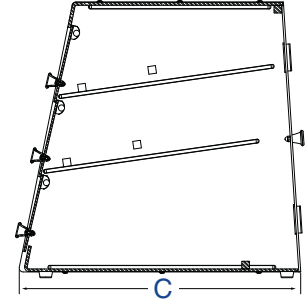


Side View

**KDC1418-3-06**

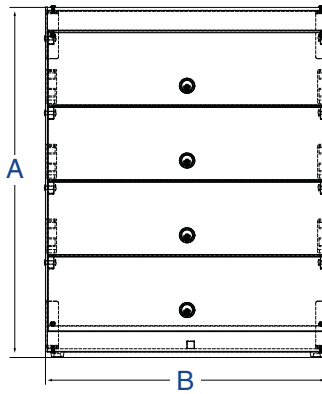


Front View

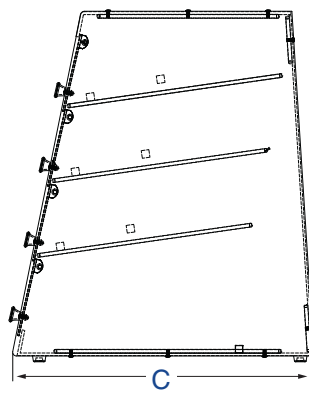


Side View

**KDC1418-4F-06**

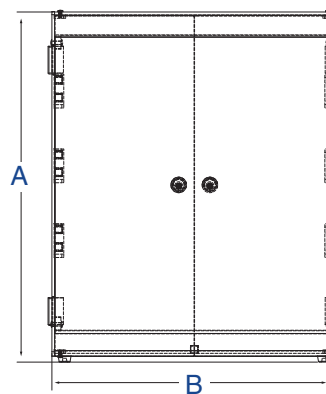


Front View

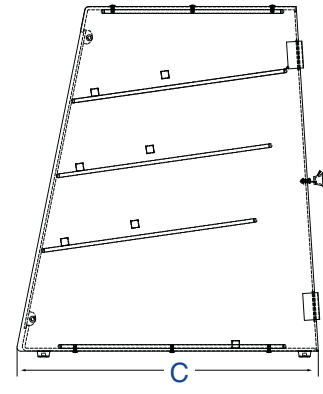


Side View

**KDC1418-4R-06**



Back View



Side View

Item No.	Description	Dimensions IN (CM)			Trays	Weight LB (KG)
		(A) Height	(B) Width	(C) Depth		
KDC1418-2-06	2 Shelf, Front and Rear Doors	12 (30.5)	18½ (47)	16¾ (42.5)	14 x 18 (35.6 x 45.7)	15 (6.8)
KDC1418-3-06	3 Shelf, Front and Rear Doors	17½ (44.5)		18⅝ (46.5)		19 (8.6)
KDC1418-4F-06	4 Shelf, Front Doors	22¾ (57.8)		19⅝ (49.8)		25 (11.3)
KDC1418-4R-06	4 Shelf, Split Rear Door					



Outperform every day.™

[www.vollrath.com](http://www.vollrath.com)

**The Vollrath Company, L.L.C.**

1236 North 18th Street  
 Sheboygan, WI 53081-3201 U.S.A.  
 Main Tel: 800.624.2051 or 920.457.4851  
 Main Fax: 800.752.5620 or 920.459.6573  
 Customer Service: 800.628.0830  
 Canada Customer Service: 800.695.8560

Technical Services  
[techservicereps@vollrathco.com](mailto:techservicereps@vollrathco.com)  
 Induction Products: 800.825.6036  
 Countertop Warming Products: 800.354.1970  
 All Other Products: 800.628.0832