

BNQT Series Queen Mary Banquet Cart

ITEM NO. _____

QUANTITY NO. _____

JOB NO. _____

SPEC NO. _____

SPECIFICATIONS:

- Multipurpose cart designed for storage and transportation of pots, pans, wire baskets, cups, and dishes.
- The frame is constructed of all welded 1½" x 1½" x 3/16" all welded reinforced aluminum. The shelves are constructed of heavy duty reinforced aluminum sheet. Standard configuration is 3 lips flanged up and front lip down. Other configurations are available upon request.
- A wrap around bumper protects walls, associates and equipment. Welded handle for easy maneuverability.
- Maneuvers on (2) 8" x 2" rigid and (2) 8" x 2" swivel polyurethane wheels with double race casters.



BNQT-5

LABORATORY CERTIFICATION AND APPROVAL
SYMBOLS:



439 Oak Street • Garden City, NY 11530 • Tel: 1-800-444-3595 • Fax: 516-222-0371
www.winholt.com • sales@winholt.com

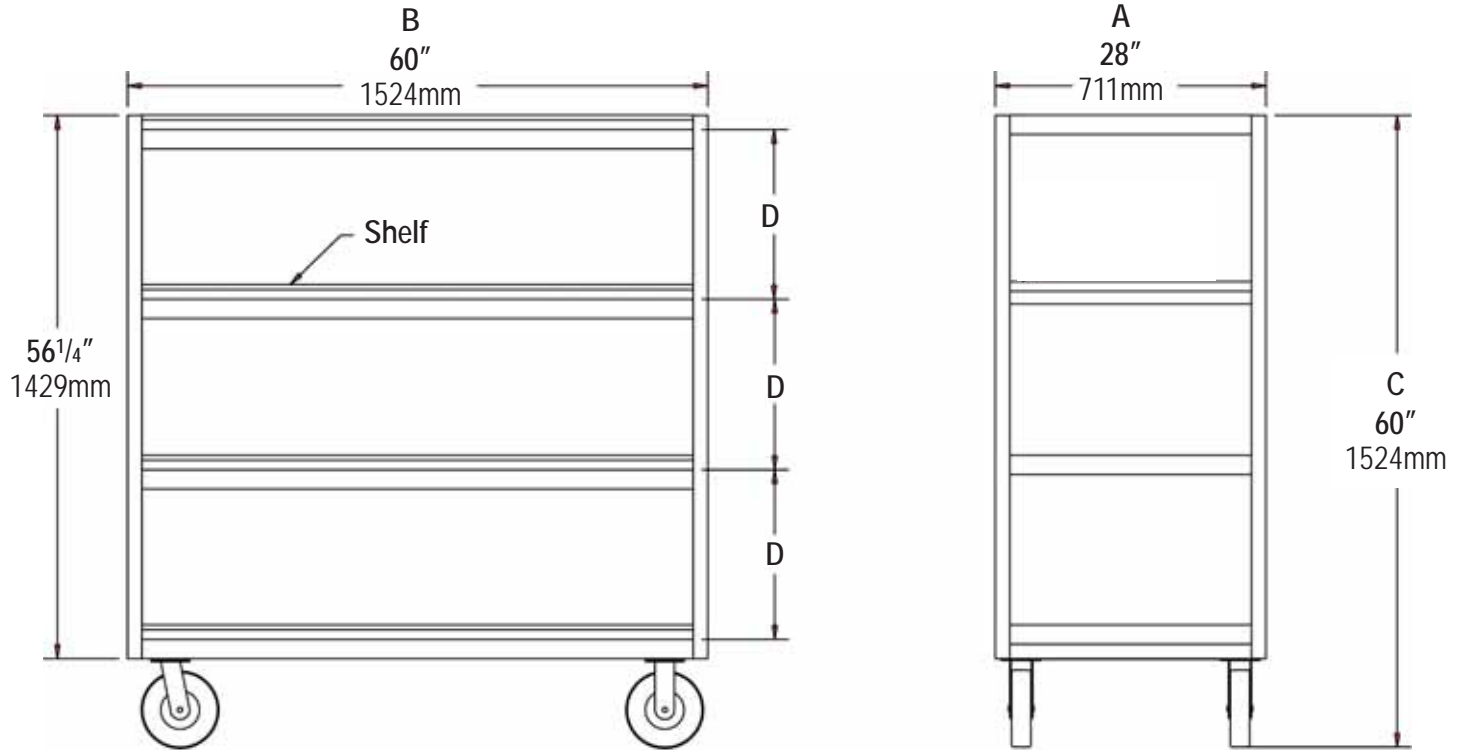
NEW YORK • GEORGIA • TEXAS • CALIFORNIA

BNQT Series Queen Mary Banquet Cart

ITEM NO. _____
 JOB NO. _____
 SPEC NO. _____

Queen Mary Banquet Cart

BNQT Series Queen Mary Banquet Cart



| Model Number | Ordering Number | Overall Dimensions | | | | | | # of Shelves | D | | Approx. Ship Weight | |
|---------------------------------------|-----------------|--|------|----------|-------|---------------------------------|-------|--------------|----------------------------------|------|---------------------|------|
| | | A Width | | B Length | | C Height | | | Space Between Shelves | | | |
| | | (in) | (mm) | (in) | (mm) | (in) | (mm) | | (lb) | (kg) | (lb) | (kg) |
| Aluminum | | | | | | | | | | | | |
| BNQT-3 | 154325 | 28 | 711 | 60 | 1,524 | 65 ⁷ / ₁₆ | 1,662 | 3 | 27 | 686 | 140 | 64 |
| BNQT-4 | 127546 | | | | | | | 4 | 17 ¹⁹ / ₃₂ | 447 | 160 | 73 |
| BNQT-5 | 112598 | | | | | | | 5 | 13 ¹ / ₂ | 343 | 180 | 82 |
| Stainless Steel | | | | | | | | | | | | |
| BNQT-3SS | 232012 | 28 | 711 | 60 | 1,524 | 65 ⁷ / ₁₆ | 1,662 | 3 | 27 | 686 | 295 | 134 |
| BNQT-4SS | 168997 | | | | | | | 4 | 17 ¹⁹ / ₃₂ | 447 | 340 | 154 |
| BNQT-5SS | 232021 | | | | | | | 5 | 13 ¹ / ₂ | 343 | 385 | 174 |
| Replacement Caster Information | | | | | | | | | | | | |
| 73161 | 123035 | Swivel Plate Caster with 8" Mold-on Polyurethane Wheel | | | | | | | | | — | |
| 7471 | 123537 | Rigid Plate Caster with 8" Mold-on Polyurethane Wheel | | | | | | | | | — | |
| 7116 | 122294 | 8" Mold-on Polyurethane Wheel | | | | | | | | | — | |

Freight Class: 100

Win-Holt Equipment Group is a leading manufacturer of material & food handling equipment. Since 1946, retailers and restaurant chains have trusted Win-Holt's equipment to ensure increased productivity and efficiency in their operation. Multiple locations reduce logistics and transportation costs. All Win-Holt associates are dedicated to customer satisfaction.

For general sales and engineering information only. All units are subject to change without notice. Please consult factory for certified specifications.

439 Oak Street • Garden City, NY 11530 • Tel: 1-800-444-3595 • Fax: 516-222-0371
 www.winholt.com • sales@winholt.com

NEW YORK • GEORGIA • TEXAS • CALIFORNIA